

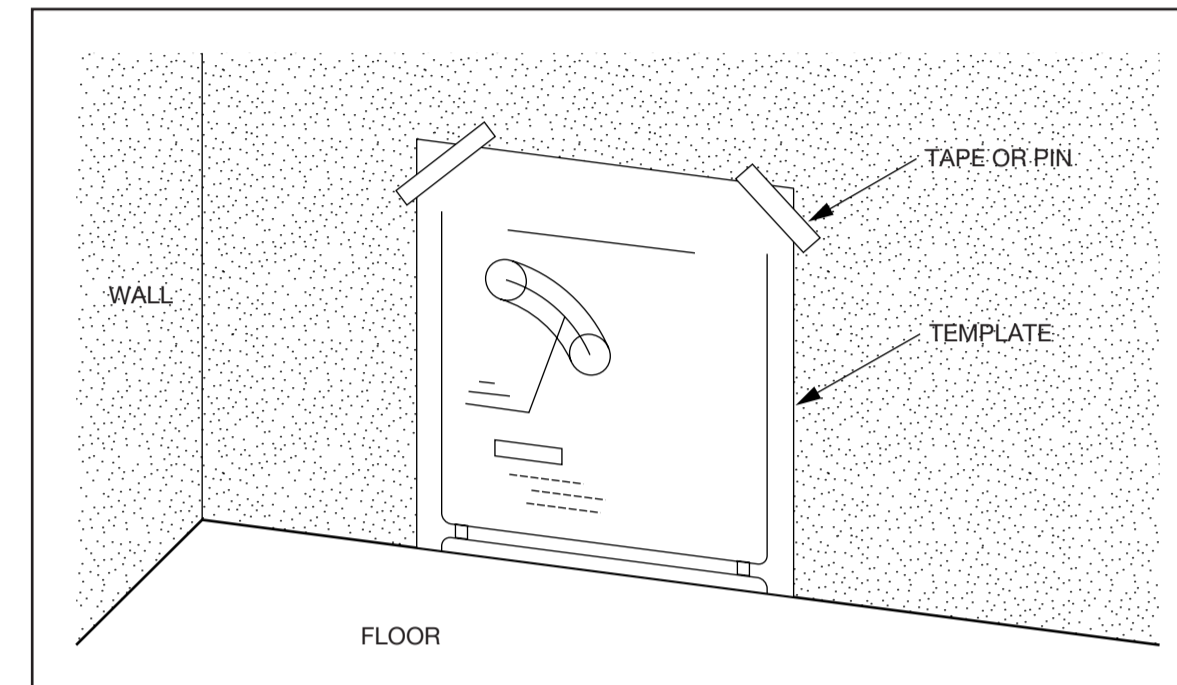
TEMPLATE FOR STANDARD INSTALLATION

MODEL Laser 560

READ AND UNDERSTAND "INSTALLATION AND OPERATION INSTRUCTIONS" BEFORE INSTALLATION.

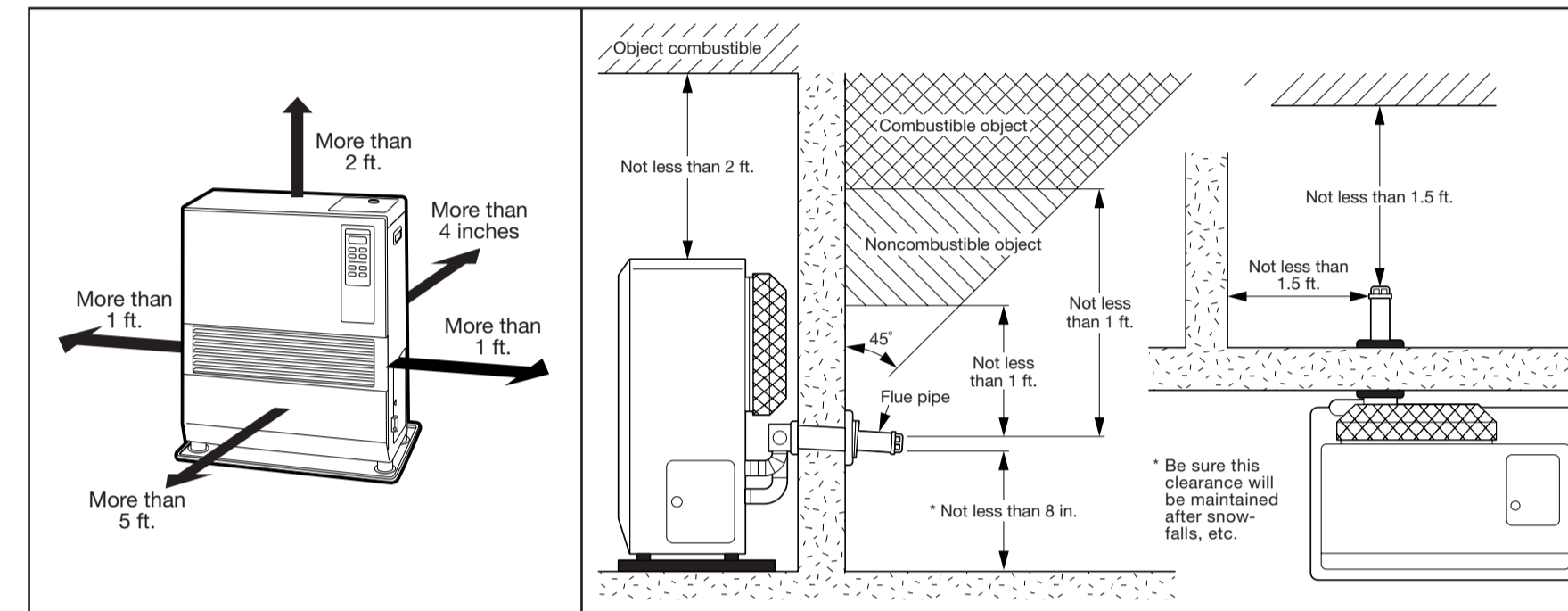
USE OF TEMPLATE

1. PIN OR TAPE TEMPLATE ON WALL AT DESIRED LOCATION, AS INDICATED BELOW. BOTTOM EDGE OF TEMPLATE SHOULD TOUCH THE FLOOR.
2. USE 2-3/4" to 3" DIAMETER HOLE SAW FOR Laser 560.
3. REFER TO "INSTALLATION AND OPERATION INSTRUCTIONS" FOR COMPLETE INSTRUCTIONS.



SAFETY TIPS

- *BEFORE MAKING HOLE IN WALL, MAKE SURE NO ELECTRIC WIRES, GAS PIPES OR OTHER OBSTRUCTIONS ARE PRESENT.
- *MAKE SURE WALL THICKNESS IS FROM 4" TO 9" FOR Laser 560.
- *WHEN THE WALL THICKNESS IS MORE THAN 9", USE THE OPTIONAL ACCESSORY.
- *MAKE SURE TO USE THE GLOVES FOR SAFETY.
- *MAKE SURE THE OUTSIDE AREA TO WHICH FLUE PIPE WILL BE EXTENDED IS CLEAR OF OBJECTS AS INDICATED BELOW:



HOLE FOR WALL BRACKET

HOLE FOR WALL BRACKET

SIDE EDGE OF HEATER

SIDE EDGE OF HEATER

